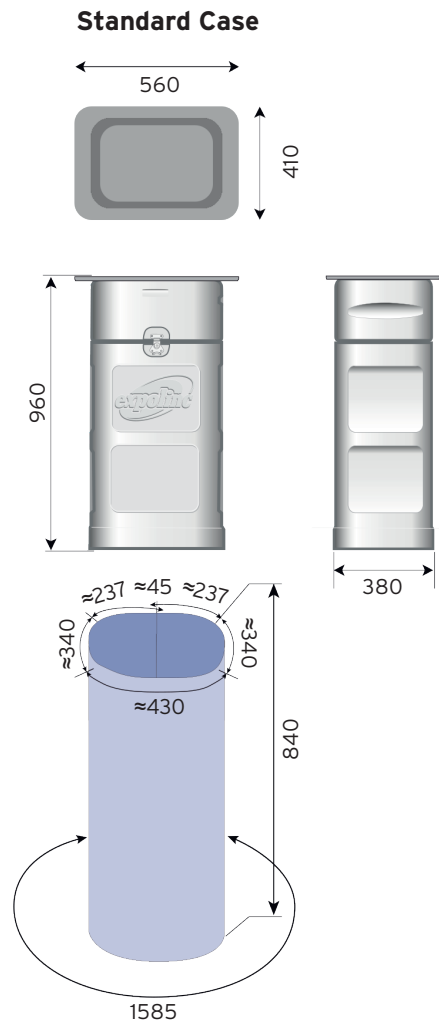
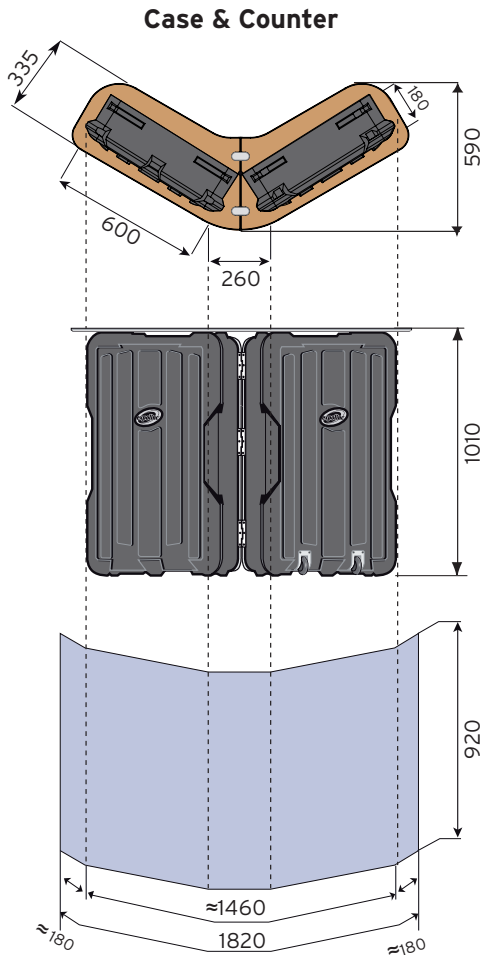


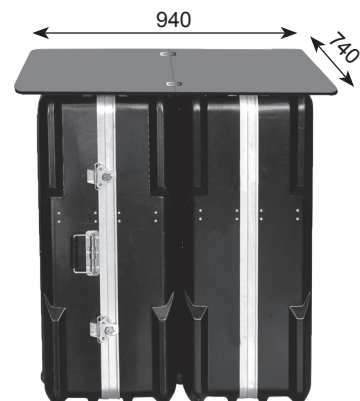
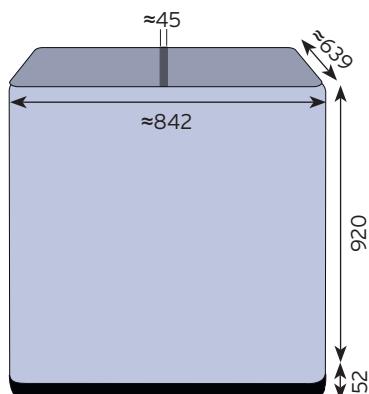
Transport boxes

Product	Panel size	Weight
Case & Counter	1820 x 920	16,5*
Double Case & Counter	2880 x 920	33*
Standard Case	1585 x 840	10,8

*Top shelf is not included in Case & Counter. Weight top shelf 5.3 kg, top shelf double Case & Counter 7,3 kg.
Recommended panel thickness 350 - 420 micron.



Double Case & Counter



All weights and sizes are in kg or mm, unless otherwise specified. Weights refer to complete package with bag/box without panel.
Facts and figures are specified with reservation for product modifications and printing errors.