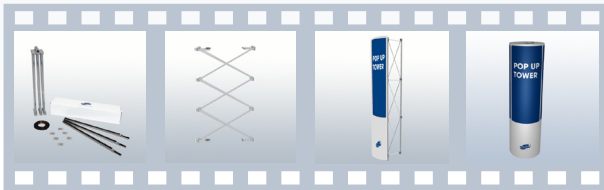
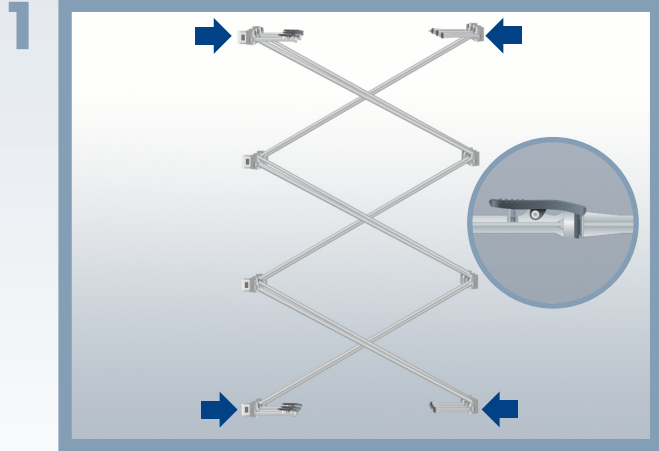


# SET UP

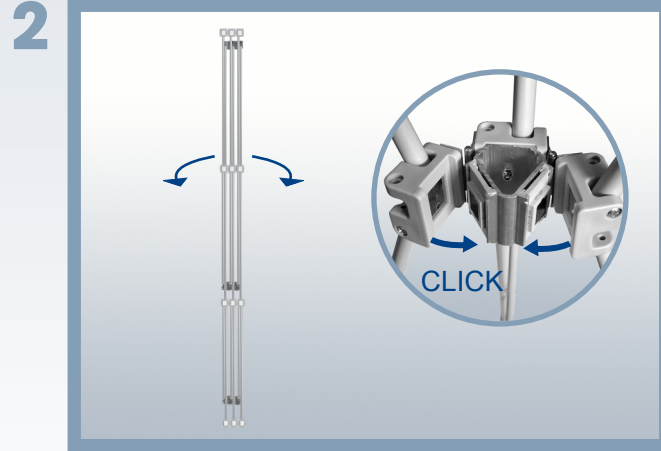
## POP UP TOWER



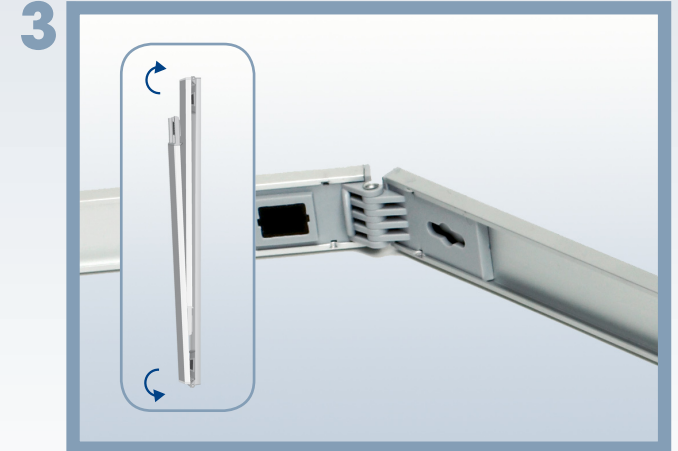
PORTABLE DISPLAYS



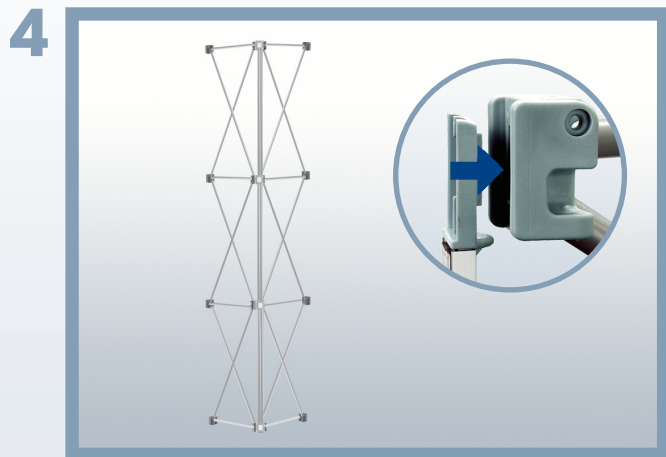
Expand the system and make sure that the lockers click in each other.



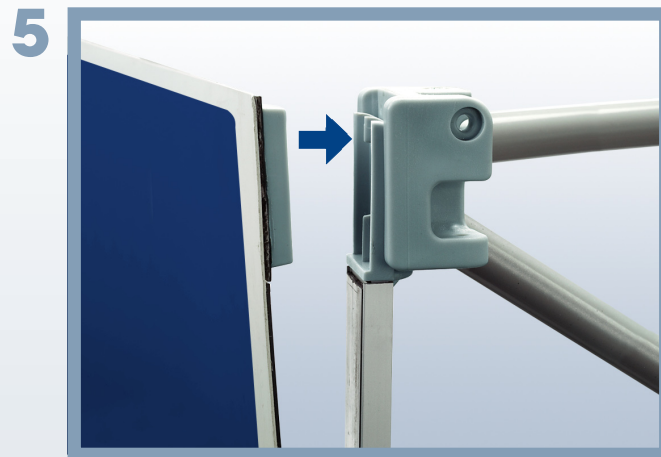
Fold out the pin-jointed parts of the system and make sure they click into the magnetic fasteners.



Unfold the magnetic bars.



Click the magnetic bar into the hubs on the system. Repeat until all the magnetic bars are in place.



Click the hangers on top of each graphic panel onto the magnetic slot located on the magnetic bars.



Check that all graphic panels are flat. Adjust as needed by gently smoothing with your hand.

